

13019**FORD RANGER & MAZDA B2300, B3000, B4000****6/22/2020**

GROSS LOAD CAPACITY WHEN USED AS A WEIGHT CARRYING HITCH: 4,000 LBS. TRAILER WEIGHT & 400 LBS. TONGUE WEIGHT.
 GROSS LOAD CAPACITY WHEN USED AS A WEIGHT DISTRIBUTION HITCH: 6,000 LBS. TRAILER WEIGHT & 600 LBS. TONGUE WEIGHT

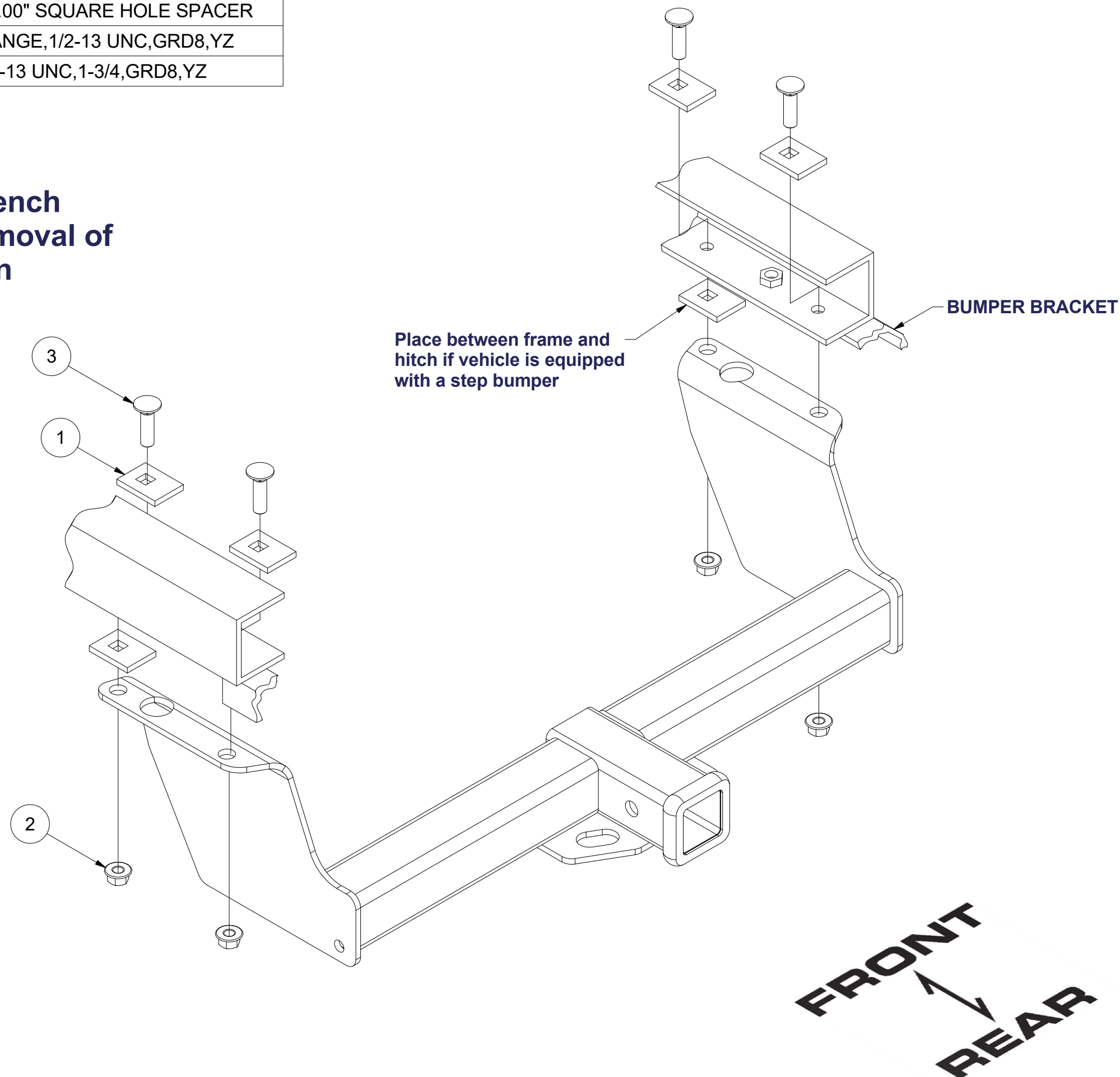
*****DO NOT EXCEED VEHICLE MANUFACTURER'S RECOMMENDED TOWING CAPACITY.*****

HAVING INSTALLATION QUESTIONS? CALL TECHNICAL SUPPORT AT 877-287-8634

Parts List			
ITEM	QTY	PART NUMBER	DESCRIPTION
1	6	CM-SP1	.250 x 1.50 x 2.00" SQUARE HOLE SPACER
2	4	20-00062	NUT, SER-FLANGE, 1/2-13 UNC, GRD8, YZ
3	4	10-10272	BOLT, CAR, 1/2-13 UNC, 1-3/4, GRD8, YZ

1997 and Prior Models

Note: 19mm open end style wrench must be purchased to allow removal of spare tire after hitch installation



HITCH WEIGHT: 31 LBS.

INSTALL TIME

PROFESSIONAL: 45 MINUTES

NOVICE (DIY): 90 MINUTES

INSTALL NOTES:

- DRILLING REQUIRED

INSTALLATION STEPS

NOTE: Relocation of spare tire bracket is **NOT** required.

- 1) For vehicles with step bumper, remove rearmost bumper bracket bolts and J-Nuts (both sides).
- 2) Position hitch on vehicle, sandwiching the bumper brackets (if present) between the hitch and the vehicle frame, install rearmost fasteners.
- 3) Using hitch as a template, drill two (2) 1/2" holes into frame at forward end of hitch.
NOTE: On some models, the holes may already exist.
- 4) Install remaining fasteners as shown. For vehicles with step bumper, place a square hole spacer between frame and side brackets at forward attachment.
- 5) Torque 1/2 fasteners to 110 lb-ft.

PERIODICALLY CHECK THIS RECEIVER HITCH TO ENSURE THAT ALL FASTENERS ARE TIGHT AND THAT ALL STRUCTURAL COMPONENTS ARE SOUND.

Curt Manufacturing Inc., warrants this product to be free of defects in material and/or workmanship at the time of retail purchase by the original purchaser. If the product is found to be defective, Curt Manufacturing Inc., may repair or replace the product, at their option, when the product is returned, prepaid, with proof of purchase. Alteration to, misuse of, or improper installation of this product voids the warranty. Curt Manufacturing Inc.'s liability is limited to repair or replacement of products found to be defective, and specifically excludes liability for incidental or consequential loss or damage.

75082/RRH13019